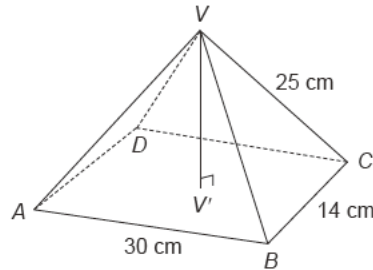
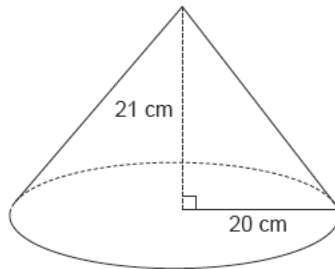


Area and Volume (III)

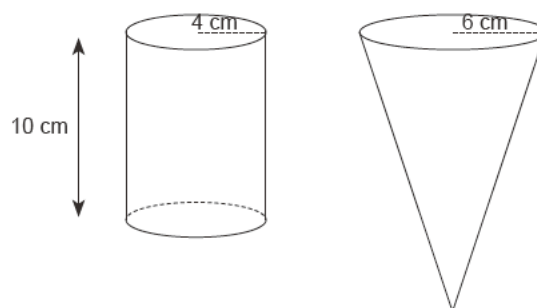
2. The figure shows a right rectangular pyramid. Given that $AB = 30$ cm, $BC = 14$ cm, and $VC = 25$ cm.



- (a) Find the volume of the pyramid. (Correct the answer to the nearest cm^3 .)
 (b) Find the total surface area of the pyramid.
3. The figure below shows a right circular cone with base radius 20 cm and height 21 cm. Find the following in terms of π .



- (a) Volume
 (b) Curved surface area
4. A cylinder with the base radius 4 cm and height of 10 cm is filled with water. If the water in the cylinder can fully fill a circular cone with base radius 6 cm,



- (a) find the volume of the water;
 (b) find the height of the circular cone.
 (Express the answers in terms of π)