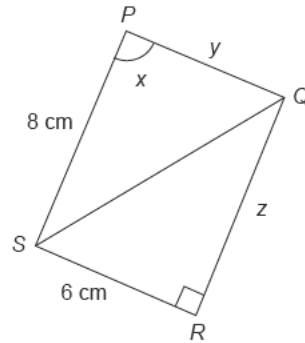
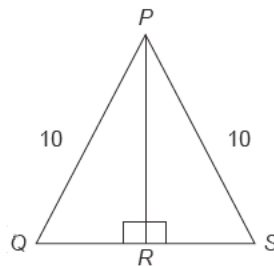


## Congruence and Similarity

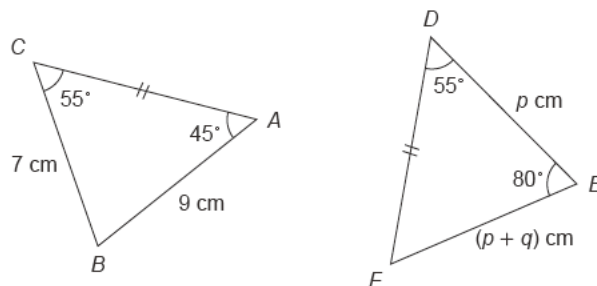
3. Given that  $\triangle PQS \cong \triangle RSQ$ , find the unknowns.



4. Show that  $\triangle PQR \cong \triangle PSR$ .



- 5.



- (a) Prove with reasons that the two triangles are congruent.  
 (b) Hence, find the values of  $p$  and  $q$ .