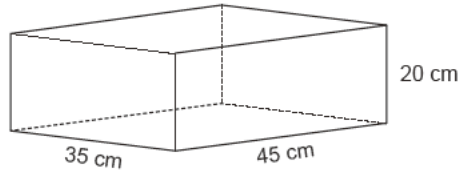
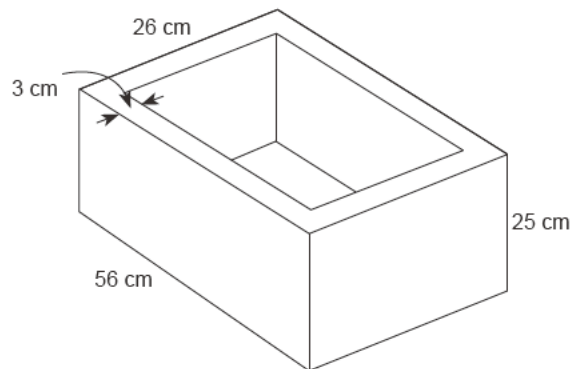


Area and Volume (I) Part 2

3. The following tank has the measurements 35 cm by 45 cm by 20 cm. When 450 bottles of water of the same volume are poured into this tank, it is 65% full.



- (a) What is the height of the water in the tank?
- (b) What is the volume for each bottle of water?
4. The following figure is an open plastic container with a thickness of 3 cm for each side.



- (a) Find the volume of plastic needed to make the container.
- (b) If the plastic container was originally filled with water with water level 20 cm, how many marbles with volume 1.6 cm^3 should be added so that the water starts to overflow?