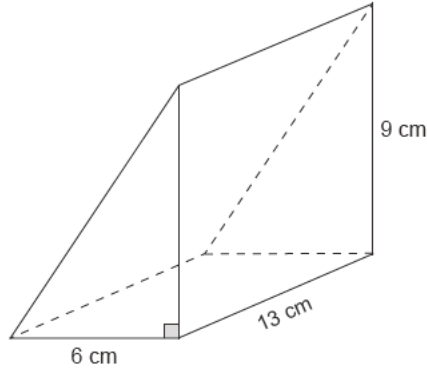


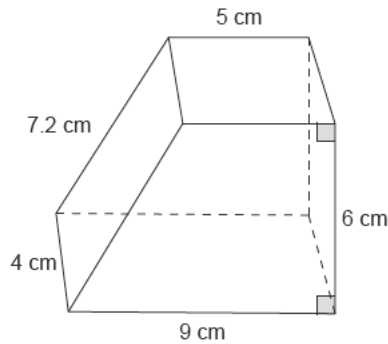
Area and Volume (I)

13. What is the volume for the following prism?



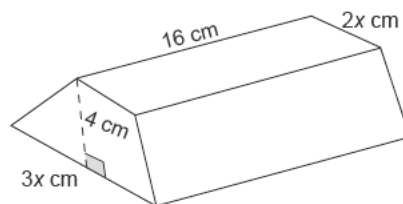
- A. 234 cm^3
- B. 351 cm^3
- C. 585 cm^3
- D. 702 cm^3

14. The following prism's volume is:



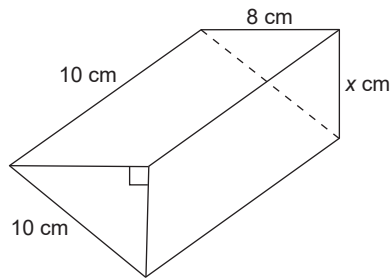
- A. 168 cm^3
- B. 216 cm^3
- C. 224 cm^3
- D. 288 cm^3

15. The volume of the following trapezium block is 512 cm^3 , what is the value of x ?



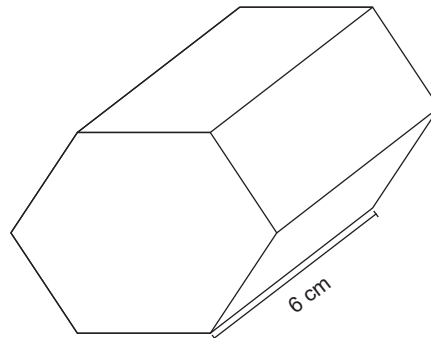
- A. 3.0
- B. 3.2
- C. 3.4
- D. 3.6

16. If the total area of all lateral faces of the following prism is 240 cm^2 , what is the volume for this prism?



- A. 240 cm^3
- B. 280 cm^3
- C. 320 cm^3
- D. 360 cm^3

17. The length of the following prism is 6 cm. The total area of all of its lateral faces is 240 cm^2 . What is the perimeter of the base?



- A. 28 cm
- B. 32 cm
- C. 36 cm
- D. 40 cm