



# 多邊形面積 Area of Polygon

填空：

Fill in the blanks:

① 正方形面積 =  ×   
Area of square

② 長方形面積 =  ×   
Area of rectangle

③ 平行四邊形面積 =  ×   
Area of parallelogram

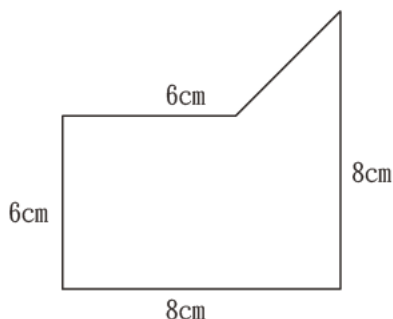
④ 三角形面積 =  ×  ÷   
Area of triangle

⑤ 梯形面積 = (  +  ) ×  ÷   
Area of trapezium

計算各圖面積：

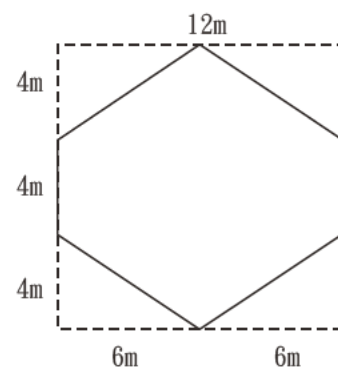
Find the area of the figures :

①



面積  
Area = \_\_\_\_\_  
= \_\_\_\_\_

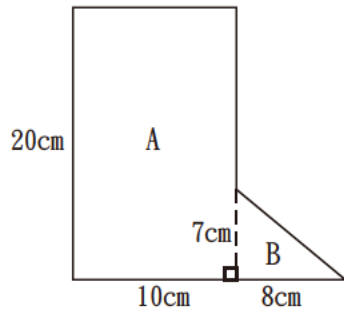
②



面積  
Area = \_\_\_\_\_  
= \_\_\_\_\_

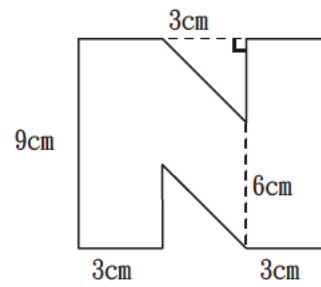
計算各圖面積：  
Find the areas of the figures :

①



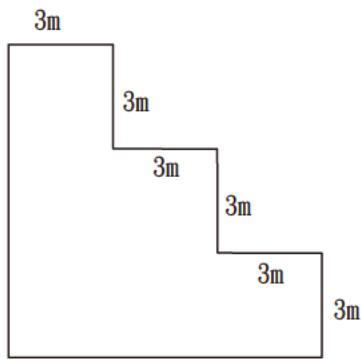
面積  
Area = \_\_\_\_\_  
= \_\_\_\_\_

②



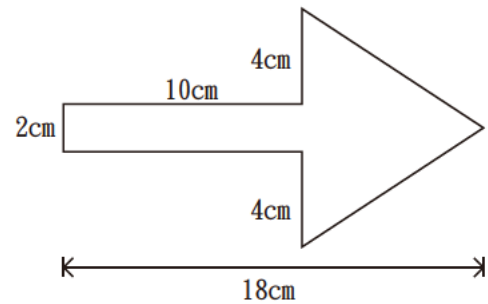
面積  
Area = \_\_\_\_\_  
= \_\_\_\_\_

③



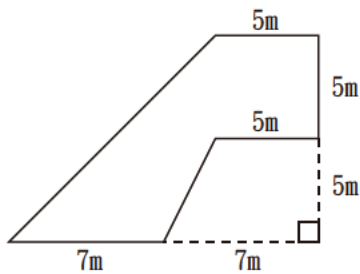
面積  
Area = \_\_\_\_\_  
= \_\_\_\_\_

④



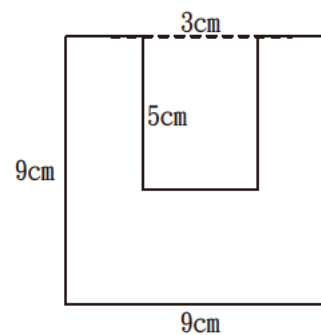
面積  
Area = \_\_\_\_\_  
= \_\_\_\_\_

⑤



面積  
Area = \_\_\_\_\_  
= \_\_\_\_\_

⑥



面積  
Area = \_\_\_\_\_  
= \_\_\_\_\_